



## SPECIFICATIONS

**Luminaire Name:** Revere Sconce

**Description:** Brass Sconce luminaire flush mount, accommodates two candelabra lights.

**Material:** Aluminum AA319.OF

**Lens/Panels:** Acrylic / Polycarbonate UV stabilized / Glass

**Wattage/Lamping:**

- Incandescent (15, 25, and 40 watt)

**Distribution:** Symmetric or Asymmetric

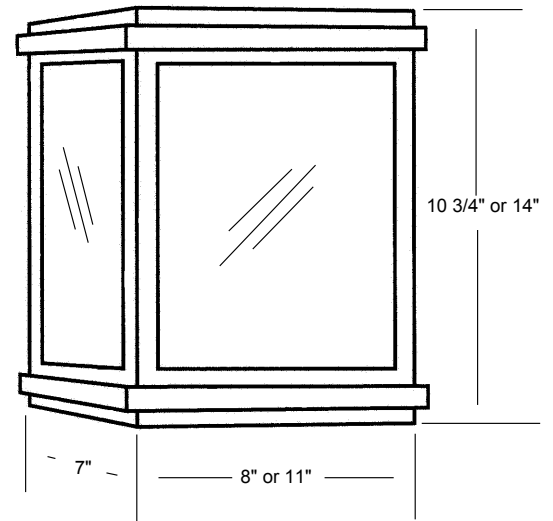
**Voltage:** 120, 208, 240, 277 or 480 volt

**Options:** Photo control

**Dimensions:** All dimensions are nominal

**Photometry:** Available upon request on I.E.S. formatted disk

**Warranty:** Fixture shall be warranted to be free of defects for two years. Ballast components shall carry the ballast manufacturer's limited warranty



PLEASE SPECIFY FIXTURE SIZE WHEN ORDERING

## FINISH

**Three Stage:**

- Cleaned and Etched
- Primered
- Powder coated or wet painted

**Colors:** Black, bronze, green, gray, swedish iron, verde patina

\* Custom colors and finishes available

## APPLICATIONS

- Housing Developments
- Condominium / Townhouse Complex
- Perimeter Ltg.
- Transportation Terminals
- Office Complexes
- School Campus
- Shopping Malls
- Hotels/Motels
- Industrial Sites
- Commercial Developments
- Waterfront Areas
- Parks/Recreational Areas
- Architectural Landscape Ltg.

# LUMINAIRE

SEQUOIA LIGHTING SYSTEMS

# SCONCE

## ORDERING NUMBER LOGIC

Example: LS500 -M1 -6 -0 -0 -0 -5 -GC -BL -O -C -O

(A) (B) (C) (D) (E) (F) (G) (H) (I) (J) (K) (L)

(A) DESIGN I.D. Top Right Corner of Cutsheet

(B) BALLAST TYPE  
 High Pressure Sodium  
 20 = 120V High Power Factor (150W and below)  
 21 = 120V Regulated High Power Factor  
 22 = 120V Normal Power Factor  
 23 = 240V High Power Factor  
 24 = 240V Regulated Power Factor  
 25 = 240V Lag Norma Power Factor  
 26 = 208V Regulated Power Factor  
 27 = 277V Regulated Power Factor  
 28 = 480V Regulated Power Factor  
**M1** = Multi-volt Regulated High Power Factor  
 Wired 120V  
 H6 = 6.6 AMP

Metal Halide

30 = 120V CWA High Power Factor  
 31 = 240V CWA High Power Factor  
 32 = 208V High Power Factor  
 33 = 277V CWA High Power Factor  
 34 = Multi-volt CWA High Power Factor  
 Wired For 120V  
**M6** = 6.6 AMP

Mercury Vapor

02 = 120/240 Regulated High Power Factor  
 Wire For 120V  
 03 = 240/480 Regulated High Power Factor  
 Wire For 240V  
 04 = 208V Regulated High Power Factor  
 05 = 277V Regulated High Power Factor  
 06 = 120V Lag Auto Normal Power Factor  
 07 = Multi-volt Regulated High Power Factor  
 Wired For 120V  
 V6 = 6.6 AMP

QL Induction (Please Specify Kelvin Rating)

**Q1** = 120V  
**Q2** = 240V  
**Q6** = 6.6 AMP

Incandescent

**IN** = Specify Wattage

(C) LAMP WATT AGE

1 = 35 Watts  
 2 = 50 Watts  
 3 = 55 Watts  
 4 = 70 Watts  
 5 = 85 Watts  
 6 = 100 Watts  
 7 = 150 Watts  
 8 = 165 Watts  
 9 = 175 Watts  
 10 = 200 Watts  
 11 = 250 Watts  
 12 = 310 Watts  
 13 = 400 Watts  
 00 = 1000 Watts  
 15 = 1500 Watts

(D) PHOT OCONTROL

0 = Without Photo Control  
 1 = With Photo Control

(E) INTERNAL GLASS REFRACT OR

0 = None  
 1 = Yes

(F) INTERNAL GLOBE REFLECT OR

0 = None  
 1 = Yes

(G) IES LIGHT DISTRIBUTION

2 = Type II  
 3 = Type III  
 5 = Type V

(H) GLOBE/LENS

**GC** = Glass Clear  
**GW** = Glass White  
**PC** = Polycarbonate Clear (Translucent)  
**PW** = Polycarbonate White  
**AC** = Acrylic Clear  
**AW** = Acrylic White  
**SM** = Smoked

(I) PAINT

**BL** = Black  
**BR** = Bronze  
**VR** = Verde  
**GG** = Green  
**GY** = Gray  
**WH** = White  
**RD** = Red  
**BU** = Blue  
**CC** = Custom (Per specification)

(J) LIGHTNING ARREST OR OPTION

0 = None  
 A = (1) 120V Arrestors  
 B = (1) 240V Arrestors  
 C = (2) 120V Arrestors  
 D = (2) 240V Arrestors

(K) LAMP OPTION

0 = No Lamp Included  
 C = Clear Lamp Included  
 R = Rapid Start Lamp Included  
 F = Coated Lamp Included  
 M = Master Color Lamp Included  
 P = Protected Metal Halide  
 Lamp Included  
 W = White Son HPS Lamp Included  
**Q** = QL Induction Lamp Included

(L) FUSE OPTION

0 = No Fusing  
 1 = (1) 5 Amp Fuse  
 2 = (2) 5 Amp Fuse  
 3 = (1) 10 Amp Fuse  
 4 = (2) 10 Amp Fuse  
 5 = (1) 15 Amp Fuse  
 6 = (2) 15 Amp Fuse  
 7 = (1) 20 Amp Fuse  
 8 = (2) 20 Amp Fuse

OPTIONS

\*When ordering optional decorative globe ring/cage, finial or heat shield, please consult factory.

# SEQUOIA LIGHTING

CORPORATION

MANUFACTURERS OF QUALITY LIGHTING PRODUCTS

13644 George Blvd, Suite 1, Victorville, CA, 92394 (760) 246-5213 FAX (760) 246-5294 www.sequoialighting.com