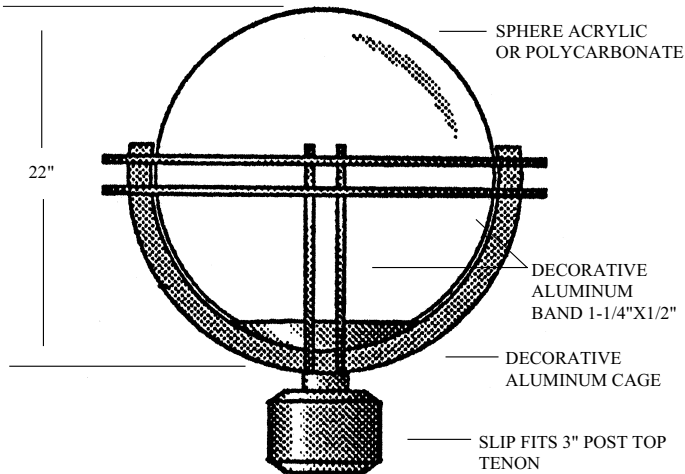


# LUMINAIRE

SEQUOIA LIGHTING SYSTEMS

# POST TOP

DESIGN  
PT316



## SPECIFICATIONS

**Luminaire Name:** Fairfax District  
**Description:** Post top Sphere style luminaire consisting of a five cluster luminaire configuration. Fixture assembly consists of sphere, decorative cage, and integral ballast assembly.

**Material:** Aluminum AA319.OF

**Globe/Panels:** Acrylic / Polycarbonate UV stabilized / Glass

### Wattage/Lamping:

- Mercury Vapor (100, 175 or 250 watt)
- High Pressure Sodium (70, 100, 150, 200 or 250 watt)
- Metal Halide (100, 175, 250 watt)
- QL Induction (55, 85 watt)
- Incandescent

**Distribution:** Symmetric or Asymmetric

**Voltage:** 120, 208, 240, 277 or 480 volt

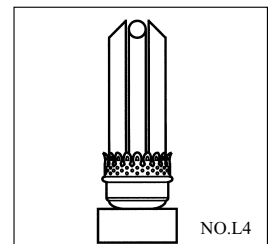
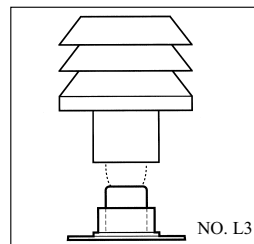
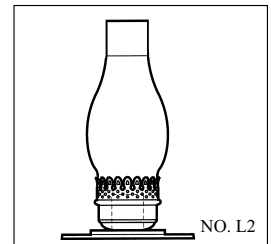
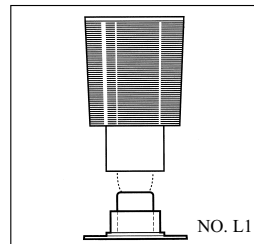
**Options:** House side shield / Photo control / Activated Charcoal Filter / Fusing

**Dimensions:** All dimensions are nominal

**Photometry:** Available upon request on I.E.S. formatted disk

**Warranty:** Fixture shall be warranted to be free of defects for two

years. Ballast components shall carry the ballast manufacturer's limited warranty



## OPTIONAL INTERNAL REFRACTORS

## FINISH

### Three Stage:

- Cleaned and Etched
- Primered
- Powder coated or wet painted

**Colors:** Black, bronze, green, gray, swedish iron

\* Custom colors available

## APPLICATIONS

- Roadways
- Parking Lots
- Perimeter Ltg.
- Transportation Terminals
- Office Complexes
- School Campus
- Shopping Malls
- Hotels/Motels
- Industrial Sites
- Commercial Developments
- Waterfront Areas
- Parks/Recreational Areas
- Architectural Landscape Ltg.

# SEQUOIA LIGHTING

CORPORATION

MANUFACTURERS OF QUALITY LIGHTING PRODUCTS

13644 George Blvd, Suite 1, Victorville, CA, 92394 (760) 246-5213 FAX (760) 246-5294 www.sequoialighting.com

# LUMINAIRE

SEQUOIA LIGHTING SYSTEMS

# POST TOP

## ORDERING NUMBER LOGIC

Example: PT300 -M1 -6 -0 -0 -0 -5 -GC -BL -O -C -O -5 -O -1 -O

(A) (B) (C) (D) (E) (F) (G) (H) (I) (J) (K) (L) (M) (N) (O) (P)

- (A) DESIGN I.D. Top Right Corner of Cutsheet  
8 = 165 Watts  
9 = 175 Watts  
10 = 200 Watts  
11 = 250 Watts  
12 = 310 Watts  
13 = 400 Watts  
00 = 1000 Watts  
15 = 1500 Watts
- (B) BALLAST TYPE  
High Pressure Sodium  
20 = 120V High Power Factor (150W and below)  
21 = 120V Regulated High Power Factor  
22 = 120V Normal Power Factor  
23 = 240V High Power Factor  
24 = 240V Regulated Power Factor  
25 = 240V Lag Norma Power Factor  
26 = 208V Regulated Power Factor  
27 = 277V Regulated Power Factor  
28 = 480V Regulated Power Factor  
**M1** = Multi-volt Regulated High Power Factor  
Wired 120V  
H6 = 6.6 AMP
- Metal Halide  
30 = 120V CWA High Power Factor  
31 = 240V CWA High Power Factor  
32 = 208V High Power Factor  
33 = 277V CWA High Power Factor  
34 = Multi-volt CWA High Power Factor  
Wired For 120V  
**M6** = 6.6 AMP
- Mercury Vapor  
02 = 120/240 Regulated High Power Factor  
Wire For 120V  
03 = 240/480 Regulated High Power Factor  
Wire For 240V  
04 = 208V Regulated High Power Factor  
05 = 277V Regulated High Power Factor  
06 = 120V Lag Auto Normal Power Factor  
07 = Multi-volt Regulated High Power Factor  
Wired For 120V  
V6 = 6.6 AMP
- QL Induction** (Please Specify Kelvin Rating)  
Q1 = 120V  
Q2 = 240V  
Q6 = 6.6 AMP
- Incandescent  
IN = Specify Wattage
- (C) LAMP WATT AGE  
1 = 35 Watts  
2 = 50 Watts  
3 = 55 Watts  
4 = 70 Watts  
5 = 85 Watts  
6 = 100 Watts  
7 = 150 Watts
- (D) PHOT OCONTROL  
0 = Without Photo Control  
1 = With Photo Control
- (E) INTERNAL REFRACT OR  
0 = None  
1 = L1 (Glass)  
2 = L2 (Chimmy / Lantern only)  
3 = L3 (Louver)  
4 = L4 (Lamp style / Lantern only)
- (F) GLOBE/LENS TYPE PRISMA TIC  
0 = Non Prismatic  
1 = Prismatic
- (G) INTERNAL GLOBE REFLECT OR  
0 = None  
1 = Yes
- (H) IES LIGHT DISTRIBUTION  
2 = Type II  
3 = Type III  
5 = Type V
- (I) GLOBE/LENS  
**GC** = Glass Clear  
**GW** = Glass White  
**PC** = Polycarbonate Clear (Translucent)  
**PW** = Polycarbonate White  
**AC** = Acrylic Clear  
**AW** = Acrylic White  
**SM** = Smoked
- (J) PAINT  
**NO** = None  
**BL** = Black  
**BR** = Bronze  
**VR** = Verde  
**GR** = Green  
**GY** = Gray  
**WH** = White  
**RD** = Red  
**BU** = Blue  
**CC** = Custom Per Specification)
- (K) LIGHTNING ARREST OR OPTION  
0 = None  
A = (1) 120V Arrestors  
B = (1) 240V Arrestors  
C = (2) 120V Arrestors  
D = (2) 240V Arrestors
- (L) LAMP OPTION  
0 = No Lamp Included  
C = Clear Lamp Included  
R = Rapid Start Lamp Included  
F = Coated Lamp Included  
M = Master Color Lamp Included  
P = Protected Metal Halide  
Lamp Included  
W = White Son HPS Lamp Included  
Q = QL Induction Lamp Included
- (M) FUSE OPTION  
0 = No Fusing  
1 = (1) 5 Amp Fuse  
2 = (2) 5 Amp Fuse  
3 = (1) 10 Amp Fuse  
4 = (2) 10 Amp Fuse  
5 = (1) 15 Amp Fuse  
6 = (2) 15 Amp Fuse  
7 = (1) 20 Amp Fuse  
8 = (2) 20 Amp Fuse
- (N) GLOBE HOLDER  
0 = None / (Lantern style only) 1  
#10  
2 = #20  
3 = #30  
4 = #40  
5 = #SL500 (Aluminum)  
6 = #SL500 (Brass)  
C = Custom (Per Specification)
- (O) ALUMINUM GLOBE ADAPT OR  
0 = None  
1 = 8" To 6"  
2 = 9 3/8" To 8"  
3 = 8" To 7"  
4 = Insert (Plastic) 4399&4599
- (P) HOUSE SIDE SHIELD  
0 = None  
1 = Yes
- OPTIONS  
\*When ordering optional decorative globe ring/cage, finial or heat shield please consult factory.

**SEQUOIA LIGHTING**  
CORPORATION

MANUFACTURERS OF QUALITY LIGHTING PRODUCTS

13644 George Blvd, Suite 1, Victorville, CA, 92394 (760) 246-5213 FAX (760) 246-5294 www.sequoialighting.com

Revision