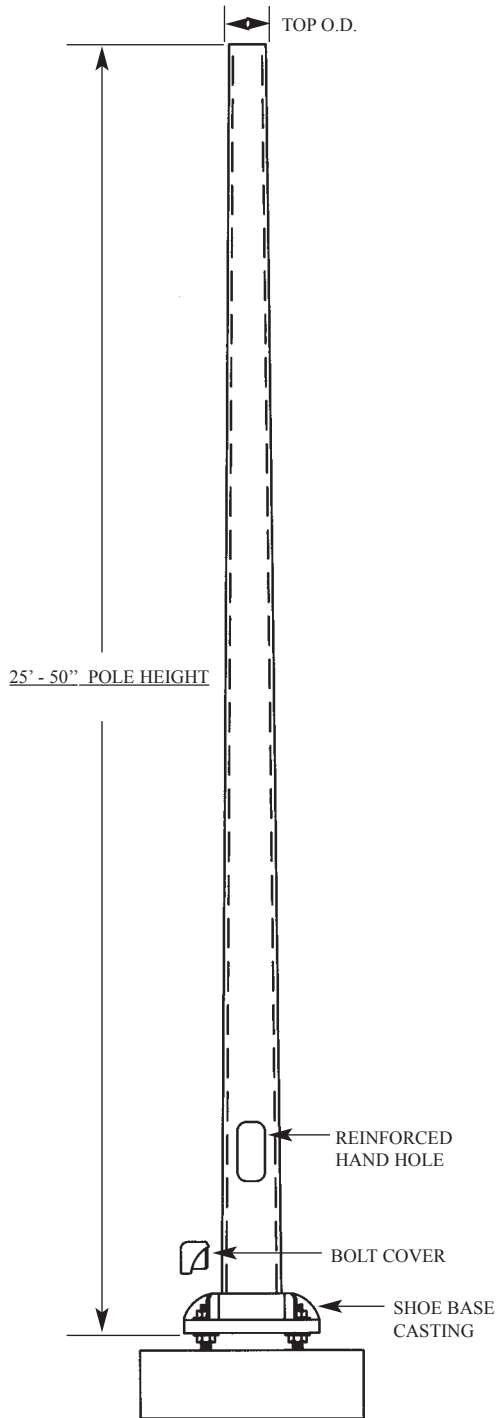


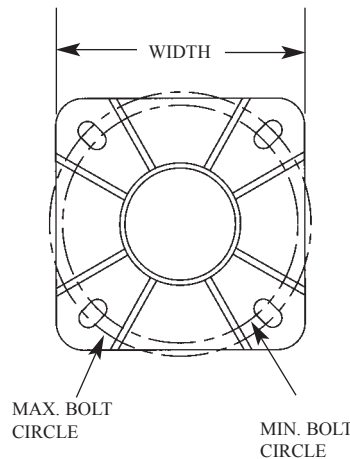
**ROUND TAPERED ALUMINUM POLE**



**ALUMINUM ARM**

SEE ALUMINUM ARM SECTION

**ANCHOR BOLT DATA**



**STRUCTURAL DESIGN**

Aluminum poles are designed for the combined effects of both wind and dead load. The wind load effects have been analyzed with wind velocities ranging from 70 to 110 mph plus a 1.3 gust factor. Due to varying wind effects, height correction factors and drag coefficients have been applied to the entire structure. The dead load effects have been determined by using a final deflected position analysis to account for secondary moments caused by eccentric dead loads.

**MATERIALS**

All Aluminum pole shafts are extruded from all new seamless 6063 alloy aluminum tubing and is heat treated to T6 temper. The top of the pole may be drilled or equipped with a top tenon for mounting luminaires

**BASE PLATE**

The anchor base consists of a permanent mold casting from A356 alloy aluminum. the shaft shall be inserted into the base casting and joined by a continuous circumferential weld at the outside top and inside bottom of the anchor base casting. Anchor assemblies are heat treated to a T6 temper after all structural welding has been completed.

**ANCHOR BOLTS**

Furnished with each standard are four hot dip galvanized anchor bolts, each with double nuts and double flat washers. Each anchor bolt assembly is provided with a 4" tail. Anchor bolt settings are provided to the customer with each shipment.

**FINISH**

All Aluminum poles are polished with fine grain aluminum oxide clothes, resulting in a high quality longitudinal satin brushed finish. Aluminum poles can also be primed and painted per the agencies specifications.

## Round Tapered Aluminum Poles (25'-50')

Catalog Number	Gross Weight (Lbs)	STRUCTURE DATA						
		Pole Shaft Data				Base Plate Data		Anchor Bolt Data
		Base O.D. (in)	Top O.D. (in)	Wall Thick (in)	Shaft Length (ft)	Bolt Circle Range (in)	Plate Width (in)	Dia x Lgth x Hlk
SL-RTAP-25-60-B9-AB*	109	6.0	4.0	.156	24.67	8.75-10.25	12.25	.75 x 25 x 4
SL-RTAP-25-60-V9-AB	119	6.0	4.0	.188	24.67	8.75-10.25	10.25	.75 x 25 x 4
SL-RTAP-25-70-B9-AB	130	7.0	4.0	.156	24.67	9.875-11.25	10.63	1 x 36 x 4
SL-RTAP-25-80-B9-AB	138	8.0	4.5	.156	24.67	11-12.125	11.63	1 x 36 x 4
SL-RTAP-25-80-V9-AB	164	8.0	4.5	.188	24.67	11-12.125	11.63	1 x 36 x 4
SL-RTAP-28-70-B9-AB*	146	7.0	4.0	.156	27.67	9.875-11.25	10.63	1 x 36 x 4
SL-RTAP-28-80-B9-AB	150	8.0	4.5	.156	27.67	11-12.125	11.63	1 x 36 x 4
SL-RTAP-28-80-V9-AB	173	8.0	4.5	.188	27.67	11-12.125	11.63	1 x 36 x 4
SL-RTAP-28-80-H9-AB	226	8.0	4.5	.250	27.67	11-12.125	11.63	1 x 36 x 4
SL-RTAP-28-10-V9-AB	215	10	6.0	.188	27.67	14.25-16.25	14.50	1 x 40 x 4
SL-RTAP-28-10-H9-AB	315	10	6.0	.250	27.67	14.5-16	14.50	1.25 x 48 x 6
SL-RTAP-30-70-B9-AB*	153	7.0	4.0	.156	29.67	9.875-11.25	10.63	1 x 36 x 4
SL-RTAP-30-80-B9-AB*	165	8.0	4.5	.156	29.67	11-12.125	11.63	1 x 36 x 4
SL-RTAP-30-80-V9-AB	182	8.0	4.5	.188	29.67	11-12.125	11.63	1 x 36 x 4
SL-RTAP-30-80-H9-AB	239	8.0	4.5	.250	29.67	11-12.125	11.63	1 x 36 x 4
SL-RTAP-30-10-V9-AB	229	10	6.0	.188	29.67	14.25-16.25	14.50	1 x 40 x 4
SL-RTAP-30-10-H9-AB	328	10	6.0	.250	29.67	14.5-16	14.50	1.25 x 48 x 6
SL-RTAP-33-80-B9-AB*	177	8.0	4.5	.156	32.67	11-12.125	11.63	1 x 36 x 4
SL-RTAP-33-80-V9-AB	204	8.0	4.5	.188	32.67	11-12.125	11.63	1 x 36 x 4
SL-RTAP-33-80-H9-AB	253	8.0	4.5	.250	32.67	11-12.125	11.63	1 x 36 x 4
SL-RTAP-33-10-V9-AB	257	10	6.0	.188	32.67	14.25-16.25	14.50	1 x 40 x 4
SL-RTAP-33-10-H9-AB	354	10	6.0	.250	32.67	14.5-16	14.50	1.25 x 48 x 6
SL-RTAP-35-80-B9-AB*	188	8.0	4.5	.156	34.67	11-12.125	11.63	1 x 36 x 4
SL-RTAP-35-80-V9-AB	208	8.0	4.5	.188	34.67	11-12.125	11.63	1 x 36 x 4
SL-RTAP-35-80-H9-AB	269	8.0	4.5	.250	34.67	11-12.125	11.63	1 x 36 x 4
SL-RTAP-35-10-V9-AB	258	10	6.0	.188	34.67	14.25-16.25	14.50	1 x 40 x 4
SL-RTAP-35-10-H9-AB	372	10	6.0	.250	34.67	14.5-16	14.50	1.25 x 48 x 6
SL-RTAP-37-80-V9-AB*	226	8.0	4.5	.188	36.67	11-12.125	11.25	1 x 36 x 4
SL-RTAP-37-80-H9-AB	288	8.0	4.5	.250	36.67	11-12.125	11.63	1 x 36 x 4
SL-RTAP-37-10-V9-AB	271	10	6.0	.188	36.67	14.25-16.25	14.50	1 x 40 x 4
SL-RTAP-37-10-H9-AB	387	10	6.0	.250	36.67	14.5-16	14.50	1.25 x 48 x 6
SL-RTAP-39-80-V9-AB*	239	8.0	4.5	.188	38.67	11-12.125	11.63	1 x 36 x 4
SL-RTAP-39-80-H9-AB	302	8.0	4.5	.250	38.67	11-12.125	11.63	1 x 36 x 4
SL-RTAP-39-10-V9-AB	285	10	6.0	.188	38.67	14.25-16.25	14.50	1 x 40 x 4
SL-RTAP-39-10-H9-AB	405	10	6.0	.250	38.67	14.5-16	14.50	1.25 x 48 x 6
SL-RTAP-48-10-H9-AB+	462	10	6.0	.250	47.67	14.5-16	14.50	1.25 x 48 x 6
SL-RTAP-50-10-H9-AB+	480	10	6.0	.250	49.67	14.5-16	14.50	1.25 x 48 x 6