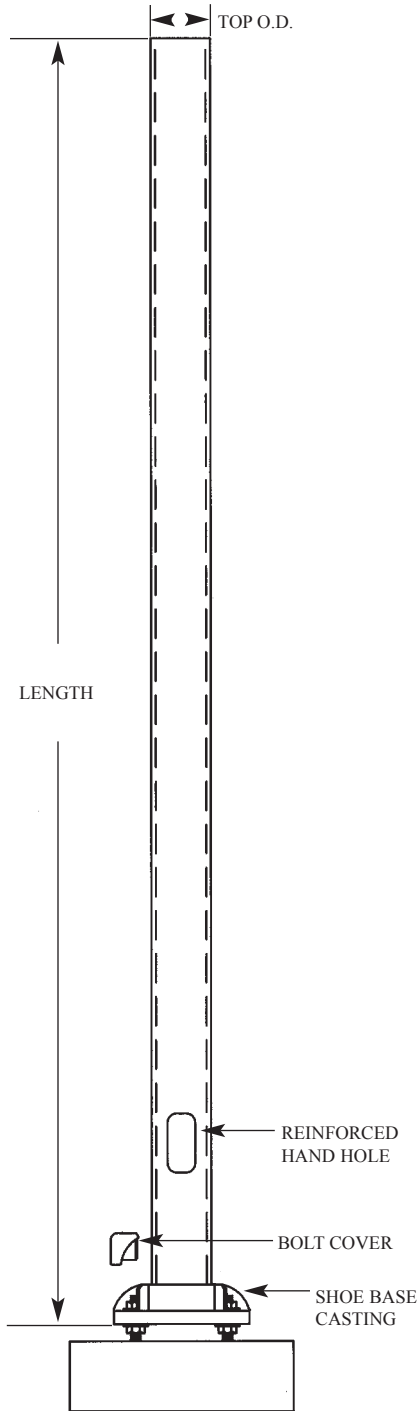


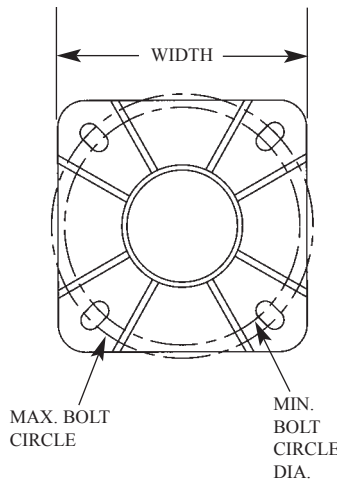
ROUND NON-TAPERED ALUMINUM



ALUMINUM ARM

SEE ALUMINUM ARM SECTION

ANCHOR BOLT DATA



STRUCTURAL DESIGN

Aluminum poles are designed for the combined effects of both wind and dead load. The wind load effects have been analyzed with wind velocities ranging from 70 to 110 mph plus a 1.3 gust factor. Due to varying wind effects, height correction factors and drag coefficients have been applied to the entire structure. The dead load effects have been determined by using a final deflected position analysis to account for secondary moments caused by eccentric dead loads.

MATERIALS

All Aluminum pole shafts are extruded from all new seamless 6063 alloy aluminum tubing and is heat treated to T6 temper. The top of the pole may be drilled or equipped with a top tenon for mounting luminaires

BASE PLATE

The anchor base consists of a permanent mold casting from A356 alloy aluminum. the shaft shall be inserted into the base casting and joined by a continuous circumferential weld at the outside top and inside bottom of the anchor base casting. Anchor assemblies are heat treated to a T6 temper after all structural welding has been completed.

ANCHOR BOLTS

Furnished with each standard are four hot dip galvanized anchor bolts, each with double nuts and double flat washers. Each anchor bolt assembly is provided with a 4" tail. Anchor bolt settings are provided to the customer with each shipment.

FINISH

All Aluminum poles are polished with fine grain aluminum oxide clothes, resulting in a high quality longitudinal satin brushed finish. Aluminum poles can also be primed and painted per the agencies specifications.

Round Non-Tapered Aluminum Poles

Catalog Number	Gross Weight (Lbs)	STRUCTURE DATA						
		Pole Shaft Data				Base Plate Data		Anchor Bolt Data
		Base O.D. (in)	Top O.D. (in)	Wall Thick (in)	Shaft Length (ft)	Bolt Circle Range (in)	Plate Width (in)	Dia x Lgth x Hk
SL-RNAP-08-40-A9-AB	31	4.0	4.0	.125	8.00	6.5-8.25	8.75	.75 x 15 x 3
SL-RNAP-08-45-A9-AB	33	4.5	4.5	.125	8.00	7.0-8.625	8.75	.75 x 15 x 3
SL-RNAP-08-45-V9-AB	40	4.5	4.5	.188	8.00	7.0-8.625	8.75	.75 x 15 x 3
SL-RNAP-10-40-A9-AB	34	4.0	4.0	.125	10.00	6.5-8.25	8.75	.75 x 15 x 3
SL-RNAP-10-45-A9-AB	37	4.5	4.5	.125	10.00	7.0-8.625	8.75	.75 x 15 x 3
SL-RNAP-10-45-V9-AB	46	4.5	4.5	.188	10.00	7.0-8.625	8.75	.75 x 15 x 3
SL-RNAP-10-50-A9-AB	39	5.0	5.0	.125	10.00	7.5-9.5	9.25	.75 x 15 x 3
SL-RNAP-12-40-A9-AB	38	4.0	4.0	.125	12.00	6.5-8.25	8.75	.75 x 15 x 3
SL-RNAP-12-45-A9-AB	41	4.5	4.5	.125	12.00	7.0-8.625	8.75	.75 x 15 x 3
SL-RNAP-12-45-V9-AB	52	4.5	4.5	.188	12.00	7.0-8.625	8.75	.75 x 15 x 3
SL-RNAP-12-50-A9-AB	44	5.0	5.0	.125	12.00	7.5-9.5	9.25	.75 x 15 x 3
SL-RNAP-12-50-B8-AB	50	5.0	5.0	.156	12.00	7.5-9.5	9.25	.75 x 15 x 3
SL-RNAP-12-50-V9-AB	57	5.0	5.0	.188	12.00	7.5-9.5	9.25	.75 x 15 x 3
SL-RNAP-14-40-A9-AB	41	4.0	4.0	.125	14.00	6.5-8.25	8.75	.75 x 15 x 3
SL-RNAP-14-45-A9-AB	45	4.5	4.5	.125	14.00	7.0-8.625	8.75	.75 x 15 x 3
SL-RNAP-14-45-V9-AB	58	4.5	4.5	.188	14.00	7.0-8.625	8.75	.75 x 15 x 3
SL-RNAP-14-50-A9-AB	48	5.0	5.0	.125	14.00	7.5-9.5	9.25	.75 x 15 x 3
SL-RNAP-14-50-B9-AB	56	5.0	5.0	.156	14.00	7.5-9.5	9.25	.75 x 15 x 3
SL-RNAP-14-50-V9-AB	63	5.0	5.0	.188	14.00	7.5-9.5	9.25	.75 x 15 x 3
SL-RNAP-16-40-A9-AB	45	4.0	4.0	.125	16.00	6.5-8.25	8.75	.75 x 15 x 3
SL-RNAP-16-45-A9-AB	49	4.5	4.5	.125	16.00	7.0-8.625	8.75	.75 x 15 x 3
SL-RNAP-16-45-V9-AB	64	4.5	4.5	.188	16.00	7.0-8.625	8.75	.75 x 15 x 3
SL-RNAP-16-50-A9-AB	53	5.0	5.0	.125	16.00	7.5-9.5	9.25	.75 x 15 x 3
SL-RNAP-16-50-B9-AB	61	5.0	5.0	.156	16.00	7.5-9.5	9.25	.75 x 15 x 3
SL-RNAP-16-50-V9-AB	70	5.0	5.0	.188	16.00	7.5-9.5	9.25	.75 x 15 x 3
SL-RNAP-16-60-B9-AB	77	6.0	6.0	.156	16.00	8.75-10.25	10.25	.75 x 25 x 4
SL-RNAP-16-60-V9-AB	89	6.0	6.0	.188	16.00	8.75-10.25	10.25	.75 x 25 x 4
SL-RNAP-18-45-V9-AB	70	4.5	4.5	.188	18.00	7.0-8.625	8.75	.75 x 15 x 3
SL-RNAP-18-50-A9-AB	57	5.0	5.0	.125	18.00	7.5-9.5	9.25	.75 x 15 x 3
SL-RNAP-18-50-B9-AB	67	5.0	5.0	.156	18.00	7.5-9.5	9.25	.75 x 15 x 3
SL-RNAP-18-50-V9-AB	77	5.0	5.0	.188	18.00	7.5-9.5	9.25	.75 x 15 x 3
SL-RNAP-18-60-V9-AB	96	6.0	6.0	.188	18.00	8.75-10.25	10.25	.75 x 25 x 4
SL-RNAP-20-45-V9-AB	76	4.5	4.5	.188	20.00	7.0-8.625	8.75	.75 x 15 x 3
SL-RNAP-20-50-A9-AB	62	5.0	5.0	.125	20.00	7.5-9.5	9.25	.75 x 15 x 3
SL-RNAP-20-50-B9-AB	73	5.0	5.0	.156	20.00	7.5-9.5	9.25	.75 x 15 x 3
SL-RNAP-20-50-V9-AB	84	5.0	5.0	.188	20.00	7.5-9.5	9.25	.75 x 15 x 3
SL-RNAP-20-60-B9-AB	90	6.0	6.0	.156	20.00	8.75-10.25	10.25	.75 x 25 x 4
SL-RNAP-20-60-V9-AB	104	6.0	6.0	.188	20.00	8.75-10.25	10.25	.75 x 25 x 4
SL-RNAP-25-45-V9-AB*	99	4.5	4.5	.188	25.00	7.0-8.625	8.75	.75 x 15 x 3
SL-RNAP-25-60-B9-AB*	115	6.0	6.0	.156	25.00	8.75-10.25	10.25	.75 x 25 x 4
SL-RNAP-25-60-V9-AB*	124	6.0	6.0	.188	25.00	8.75-10.25	10.25	.75 x 25 x 4
SL-RNAP-30-60-V9-AB*	151	6.0	6.0	.188	30.00	8.75-10.25	10.25	.75 x 25 x 4