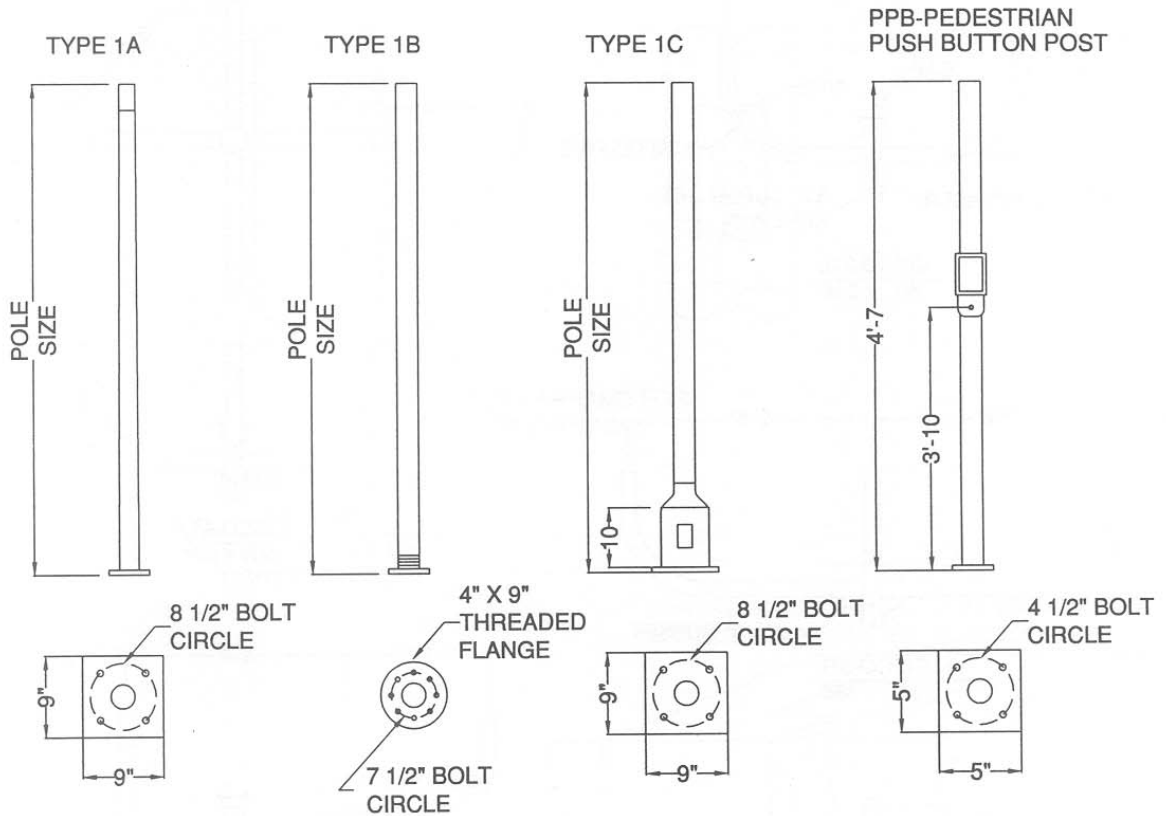


TRANSPORTATION GROUP



PART NUMBER	POLE SIZE	BOLT CIRCLE
DOT 10-1A	5.5.Ø X 4.0 X 10'-11 GA.	8 1/2"
DOT 7-1A	5.5.Ø X 4.0 X 7'-11 GA.	8 1/2"
DOT 10-1B	4" STD. PIPE X 10'-0	7 1/2"
DOT 7-1B	4" STD. PIPE X 7'-0	7 1/2"
DOT 10-1C	4" STD. PIPE	8 1/2"
DOT 7-1C	4" STD. PIPE	8 1/2"
PP-BP-1	2 1/2 X 4'-7" STD. PIPE	4 1/2"
PP-BP-2	2 1/2 X 3'-0 STD. PIPE	4 1/2"