



QUARTER SPHERE CUTOFF WALL SCONCE

SPECIFICATIONS

Luminaire Name: Museum Heights III Sconce
Description: Quarter Sphere cutoff wall sconce luminaire has a traditional style of spherical form with geometrical symmetry and balance that gives a blended form to complement site design.

Material: Aluminum
Refractor: Glass

Wattage/Lamping:

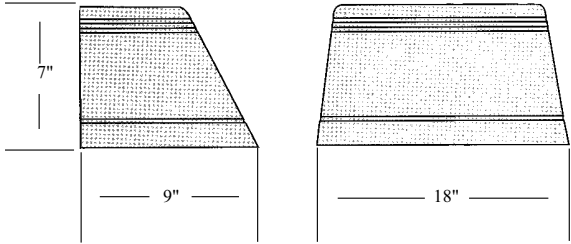
- High Pressure Sodium (70, 100 or 150 watt)
- Metal Halide (100 or 150 watt)
- QL Induction (55, 85 watt)
- PL 26 or 43

Distribution: Wide Throw, Forward Throw, Up&Down
Voltage: 120/240/277 volt

Options: Photo Control / Fusing

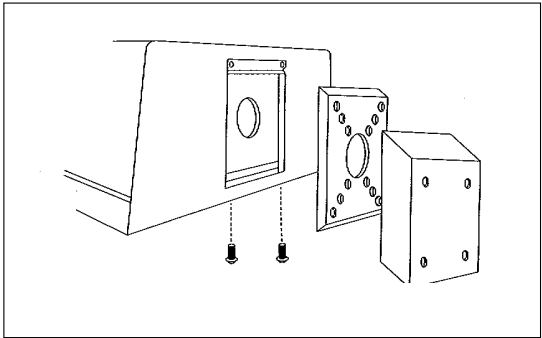
Dimensions: All dimensions are nominal
Photometry: Available upon request on I.E.S. formatted disk

Warranty: Fixture shall be warranted to be free of defects for two years. Ballast components shall carry the ballast manufacturer's limited warranty



*MOUNTING ATTACHMENT INCLUDED

MOUNTING



HOOK AND LOCK (MOUNTING ATTCHMENT INCLUDED J-BOX NOT)

FINISH

Three Stage:

- Cleaned and Etched
- Primered
- Powder coated or wet painted

Colors: Black, bronze, green, gray, white
 * Custom colors available

LUMINAIRE

SEQUOIA LIGHTING SYSTEMS

SCONCE

ORDERING NUMBER LOGIC

Example: LA600 -M1 -6 -0 -3 -0 -GC -BL -O -O -O -1
 (A) (B) (C) (D) (E) (F) (G) (H) (I) (J) (K) (L)

(A) DESIGN I.D. Top Right Corner of Cutsheet

(B) BALLAST TYPE
 High Pressure Sodium
 20 = 120V High Power Factor (150W and below)
 21 = 120V Regulated High Power Factor
 22 = 120V Normal Power Factor
 23 = 240V High Power Factor
 24 = 240V Regulated Power Factor
 25 = 240V Lag Norma Power Factor
 26 = 208V Regulated Power Factor
 27 = 277V Regulated Power Factor
 28 = 480V Regulated Power Factor
M1 = Multi-volt Regulated High Power Factor
 Wired 120V
H6 = 6.6 AMP

Metal Halide
 30 = 120V CWA High Power Factor
 31 = 240V CWA High Power Factor
 32 = 208V High Power Factor
 33 = 277V CWA High Power Factor
 34 = Multi-volt CWA High Power Factor
 Wired For 120V
M6 = 6.6 AMP

Mercury Vapor
 02 = 120/240 Regulated High Power Factor
 Wire For 120V
 03 = 240/480 Regulated High Power Factor
 Wire For 240V
 04 = 208V Regulated High Power Factor
 05 = 277V Regulated High Power Factor
 06 = 120V Lag Auto Normal Power Factor
 07 = Multi-volt Regulated High Power Factor
 Wired For 120V
V6 = 6.6 AMP

QL Induction (Please Specify Kelvin Rating)
Q1 = 120V
Q2 = 240V
Q6 = 6.6 AMP

Incandescent
IN = Specify Wattage

(C) LAMP WATT AGE
 1 = 35 Watts
 2 = 50 Watts
 3 = 55 Watts
 4 = 70 Watts
 5 = 85 Watts
 6 = 100 Watts
 7 = 150 Watts
 8 = 165 Watts
 9 = 175 Watts
 10 = 200 Watts
 11 = 250 Watts
 12 = 310 Watts
 13 = 400 Watts
 00 = 1000 Watts
 15 = 1500 Watts

(D) PHOT OCONTROL
 0 = Without Photo Control
 1 = With Photo Control

(E) IES LIGHT DISTRIBUTION
 2 = Type II
 3 = Type III
 5 = Type V

(F) REFRACT OR TYPE (Cobraheads)
 O = None
 S = Semi Cutoff
 M = Medium Cutoff
 N = Non Cutoff

(G) REFRACT OR MA TERIAL
GC = Glass Clear
GW = Glass White
PC = Polycarbonate Clear
PW = Polycarbonate White (Translucent)
AC = Acrylic Clear
AW = Acrylic White
SM = Smoked

(H) PAINT
00 = None
BL = Black
BR = Bronze
VR = Verde
GR = Green
GY = Gray
WT = White
RD = Red
BU = Blue
CC = Custom (Per Specification)

(I) LIGHTNING ARREST OR OPTION
 0 = None
A = (1) 120V Arrestors
B = (1) 240V Arrestors
C = (2) 120V Arrestors
D = (2) 240V Arrestors

(J) LAMP OPTION
 0 = No Lamp Included
C = Clear Lamp Included
R = Rapid Start Lamp Included
F = Coated Lamp Included
M = Master Color Lamp Included
P = Protected Metal Halide
 Lamp Included
W = White Son Hps Lamp Included
Q = QL Induction Lamp Included

(K) FUSE OPTION
 0 = No Fusing
 1 = (1) 5 Amp Fuse
 2 = (2) 5 Amp Fuse
 3 = (1) 10 Amp Fuse
 4 = (2) 10 Amp Fuse
 5 = (1) 15 Amp Fuse
 6 = (2) 15 Amp Fuse
 7 = (1) 20 Amp Fuse
 8 = (2) 20 Amp Fuse

(L) REFRACT OR OPTIONS
 0 = None
G = Glare Shield
W = Wire Guard

OPTIONS
 When ordering optional mounting hardware please consult factory for correct catalog number

SEQUOIA LIGHTING

CORPORATION

MANUFACTURERS OF QUALITY LIGHTING PRODUCTS

13644 George Blvd, Suite 1, Victorville, CA, 92394 (760) 246-5213 FAX (760) 246-5294 www.sequoialighting.com