

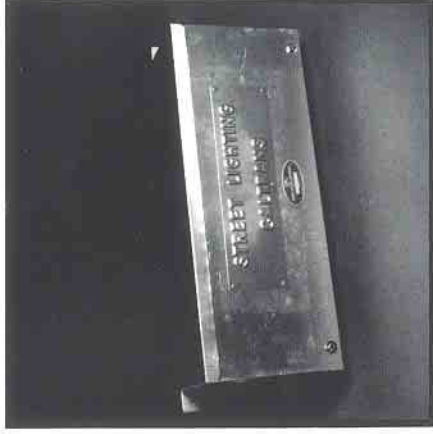
# TYPE 9 PULLBOX

The Caltrans approved Type 9 Pullbox is designed for use in all concrete barriers. Manufactured out of heavy 14 gage steel and galvanized, the Type 9 Pullbox can withstand all types of roadway weather conditions. The full length neoprene gasketed lid is secured by two stainless steel bolts. Each Type 9 Pullbox also provides 1 1/2" and 2" knock-outs on each side for easy conduit access.

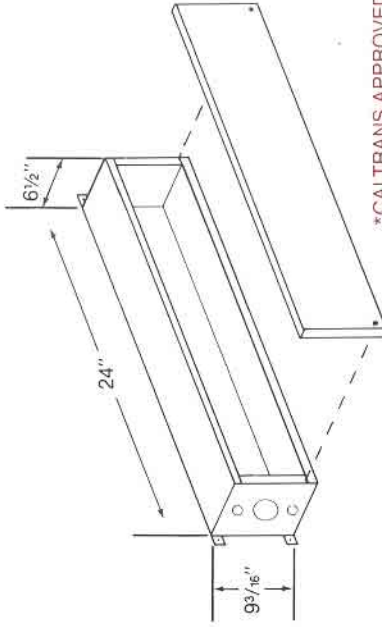
## ORDERING INFORMATION

CATALOG #	SERIES	COVER MARKING
9-SLC	#9	STREET LIGHTING CALTRANS
9-SL	#9	STREET LIGHTING
9-CC	#9	COMMUNICATION CALTRANS
9-C	#9	COMMUNICATION
9-TSC	#9	TRAFFIC SIGNAL CALTRANS
9-TS	#9	TRAFFIC SIGNAL
9-SC	#9	SOFFIT CALTRANS
9-S	#9	SOFFIT
9-RMC	#9	RAMP METER CALTRANS
9-RM	#9	RAMP METER
9-CNC	#9	CONNECTOR CALTRANS
9-TC	#9	TELEPHONE CALTRANS
9-T	#9	TELEPHONE

This document contains proprietary information of the Sequoia Lighting Corp. and is transmitted in confidence. Any reproduction, disclosure, or use of this document is expressly prohibited except as Sequoia Lighting Corp. may otherwise agree in writing.  
 COPYRIGHT 1993 © SEQUOIA LIGHTING CORPORATION



TYPE 9 PULLBOX



\*CALTRANS APPROVED